

E-Series Inclinometer

Single axis inclinometer
Measurement range
 $\pm 5^\circ$ or $\pm 15^\circ$
Analog voltage output



The E-Series is a fully signal conditioned single axis inclinometer ready for installation. Consisting of a tilt sensor, and hybrid electronics sealed within a ceramic housing, the E-Series provides a smooth VDC output over the $\pm 5^\circ$ to $\pm 15^\circ$ measurement range. Adjustments to zero, sensitivity and accuracy can be made by use of external passive components, allowing customization to individual applications. A precision reference surface assures measurement accuracy, while the 10 connection pins provide easy soldering onto a circuit board or other substrate.

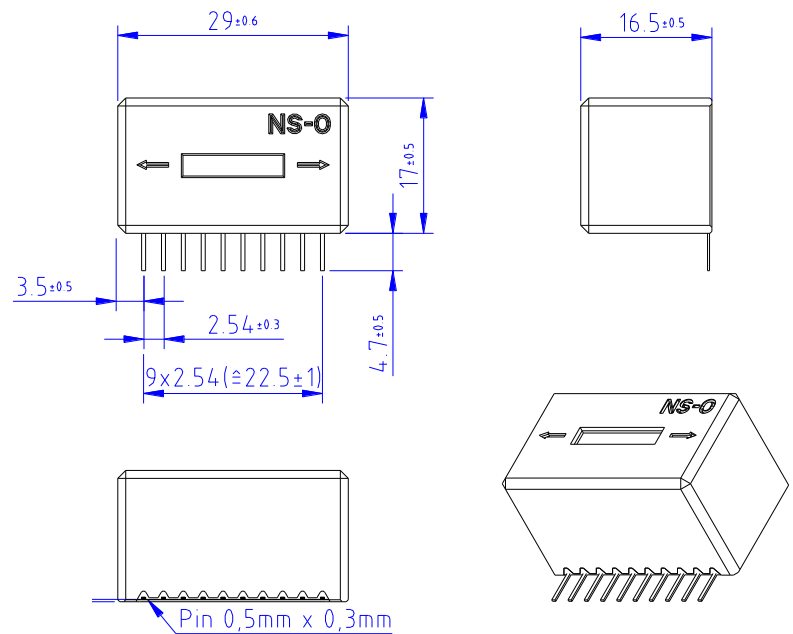
FEATURES

- +6.5 to +24VDC unregulated input
- Lightweight / compact
- High resolution
- Wide -25° to $+85^\circ$ operating temp range
- Small dimension
- Easy installation

APPLICATIONS

- Road construction machines
- Building control
- Weighing systems
- Mobile and stationary cranes
- Platform leveling

dimensions [mm]



E-Series Inclinometer

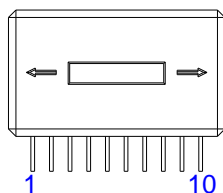
performance specifications

PARAMETERS

	Conditions	Min	Type	Max	Unit
Measurement range ⁽¹⁾		-5 (-15)		+5(+15)	°
Repeatability			0.02		°
Linear error	+/-5°		0.5		%
Linear error	+/-10°		1.5		%
Symmetry error			0.5		°
Zero point offset ⁽²⁾			0.5		°
Response time	t90		1		s
TC zero point			0.5		m°/K
TC sensitivity			6.5		m°/K
Output signal, typical	NS-5/E	-3		+3	V
Output signal, typical	NS-15/E	-2		+2	V
Current consumption			5		mA
Power supply		+6.5		+24	VDC
Operating temperature range		-25		+85	°C
Storage temperature range		-40		+85	°C
Weight			20		g
Dimensions	W x D x H		29 x 17 x 16		mm

(1) measurement ranges +/-5° and +/-15° are available

(2) external adjustment with potentiometer possible



For pinning please use the instruction manual of the E-series.

ordering info

PART NUMBERING	UNIT	SHORT DESCRIPTION
G-NSE-001	NS-5/E	Range +/-5°, Vcc 6.5...24VDC, voltage output signal +/-3V
G-NSE-013	NS-15/E	Range +/-15°, Vcc 6.5...24VDC, voltage output signal +/-2V

联系方式



深圳市亿为测控电子有限公司
Shenzhen Bill-Well Measurement & Control Electronics Co., Ltd.

广东省深圳市南山区创业路怡海广场东座2407 邮编：518000

电话：+86 755 2641 9890 传真：+86 755 2641 9680

电子邮箱：sales@bill-well.com